

TIG Welding Torch SR 9 / SR 9 FX air cooled



BINZEL. The right welding torch for every job!

BINZEL air cooled welding torches have the high quality and technology needed for trouble-free performance whatever the welding job.

All BINZEL torches are constructed to the highest standards and offer the greatest working comfort. This brochure defines in detail all the possible options for the above TIG torch types.

Technical Data (EN 50 078):

SR 9 / SR 9 FX

Rating: 110 A DC
95 A AC

Tungsten electrode: \varnothing 0,5 - 1,6 mm

As each torch type has very many variations, we cannot list them all here. Therefore, we indicate only one standard for each type of torch.

Type	Handle version	4,00 m long Part no.	8,00 m long Part no.
SR 9	with single connection, single action switch and 3-pole Tichel connector	705.0347*	705.0348*
SR 9 FX	with single connection, single action switch and 3-pole Tichel connector	703.0072*	703.0073*

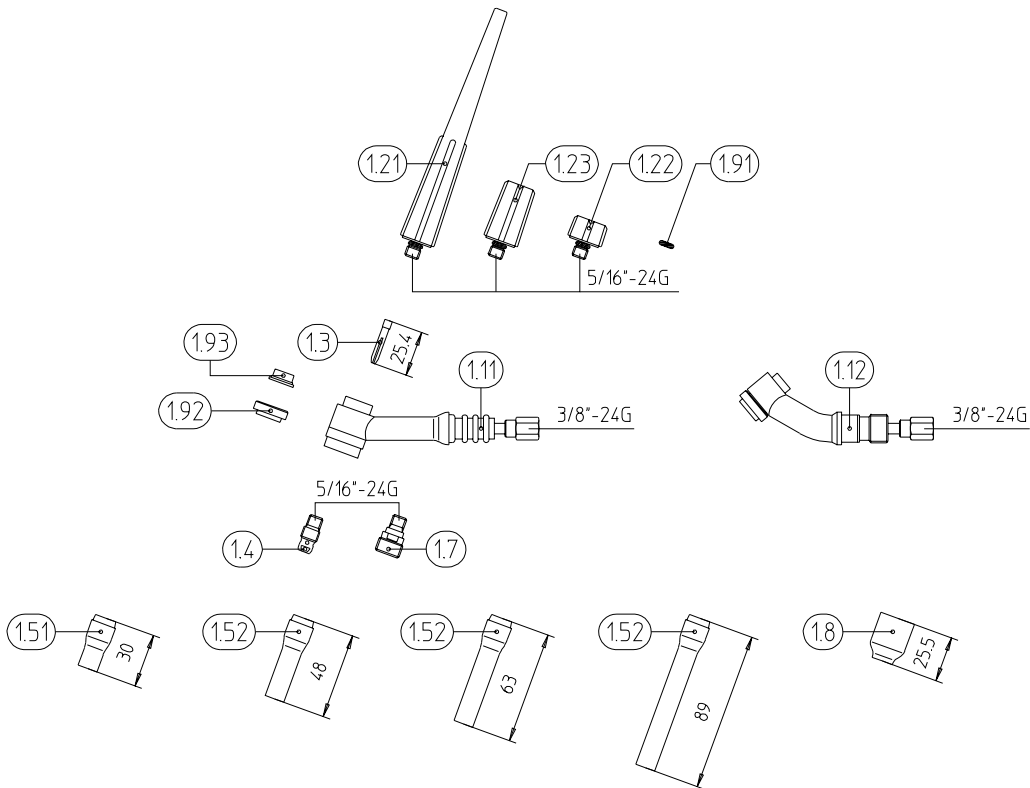
* This part number is a sample, only, which refers to the mentioned „Standard version“. To other torch variations new order numbers will be given. See order confirmation.

Welding & cutting brought to the point.



SR 9

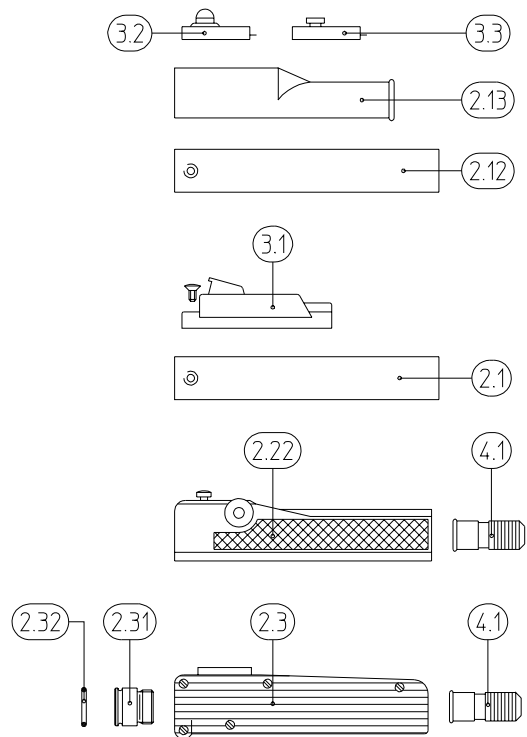
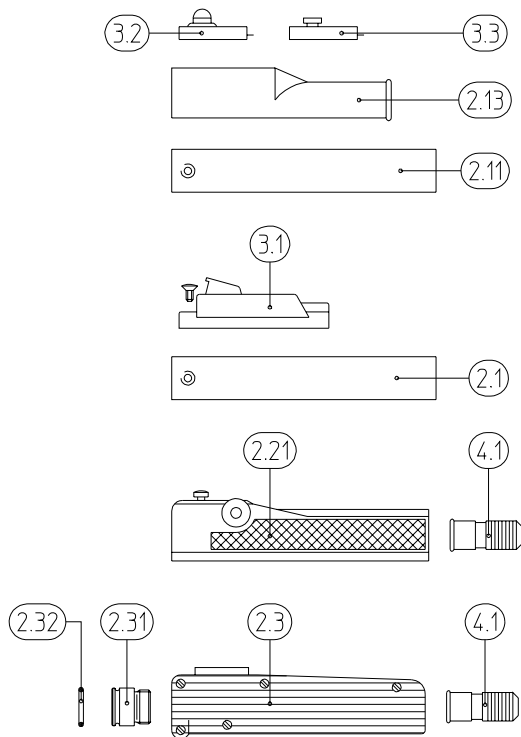
SR 9 FX



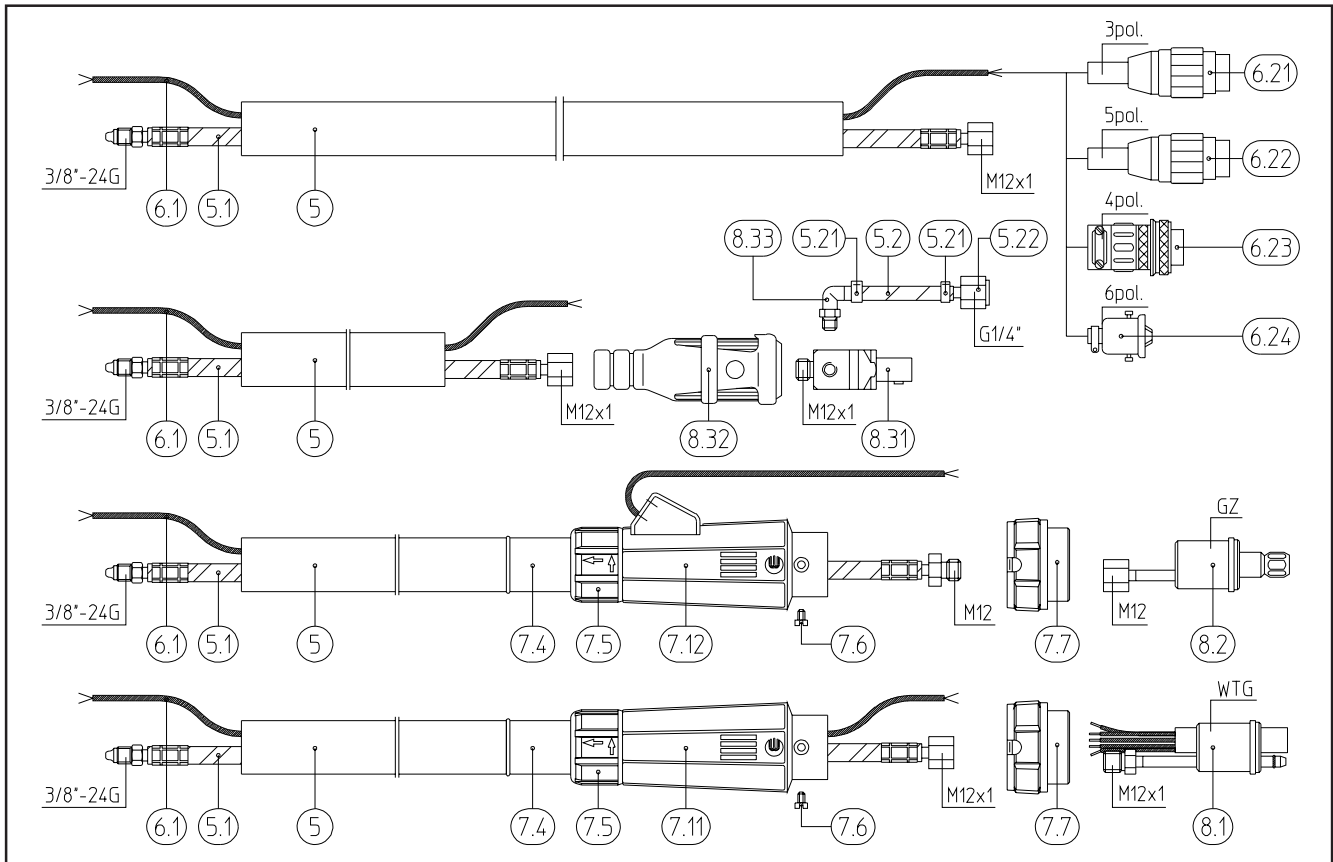
Build group	Pos.	Description	Specifications	Part no.
Torch body	1.11	Torch body SR 9		705.0001
	1.12	Torch body SR 9 FX (flexible)		703.0001
Wear parts	1.21	Back cap (long)		701.0247
	1.22	Back cap (short)		701.0240
	1.23	Back cap (medium)		701.0244
	1.91	O-ring 4.6x2	20 pcs.	165.0028
	1.92	Insulator	10 pcs.	702.0055
	1.93	Gasket-ring	10 pcs.	705.0067
	1.3	Collet 25.4 mm long for electrode- Ø 0.5 mm		701.0249
		Collet 25.4 mm long for electrode- Ø 1.0 mm		701.0250
		Collet 25.4 mm long for electrode- Ø 1.2 mm		701.0254
		Collet 25.4 mm long for electrode- Ø 1.6 mm		701.0251
	1.4	Collet body for electrode- Ø 0.5-1.0 mm		701.0275
		Collet body for electrode- Ø 1.2 mm		701.0279
		Collet body for electrode- Ø 1.6 mm		701.0276
	1.51	Alumina cup, no. 4, Ø 6.5 mm, 30.0 mm long		701.0281
		Alumina cup, no. 5, Ø 8.0 mm, 30.0 mm long		701.0282
	Alumina cup, no. 6, Ø 9.5 mm, 30.0 mm long		701.0283	
	Alumina cup, no. 7, Ø 11.0 mm, 30.0 mm long		701.0284	
	Alumina cup, no. 8, Ø 12.5 mm, 30.0 mm long		701.0285	
	Alumina cup, no. 10, Ø 16.0 mm, 30.0 mm long		701.0286	

SR 9

SR 9 FX



Build group	Pos.	Description	Specifications	Part no.
Wear parts	1.52	Alumina cup, no. 4, Ø 6.5 mm, 48.0 mm long with metal shield		701.0289
		Alumina cup, no. 5, Ø 8.0 mm, 48.0 mm long with metal shield		701.0290
		Alumina cup, no. 6, Ø 9.5 mm, 48.0 mm long with metal shield		701.0291
		Alumina cup, no. 4, Ø 6.5 mm, 63.0 mm long with metal shield		701.0293
		Alumina cup, no. 5, Ø 8.0 mm, 63.0 mm long with metal shield		701.0294
		Alumina cup, no. 4, Ø 6.5 mm, 89.0 mm long with metal shield		701.0296
		Gas lens accessories		
	1.7	Collet body with gas lens for electrode- Ø 0.5-1.0 mm		701.0301
		Collet body with gas lens for electrode- Ø 1.2 mm		701.0313
		Collet body with gas lens for electrode- Ø 1.6 mm		701.0307
	1.8	Alumina cup, no. 4, Ø 6.5 mm, 25.5 mm long		701.0317
		Alumina cup, no. 5, Ø 8.0 mm, 25.5 mm long		701.0318
		Alumina cup, no. 6, Ø 9.5 mm, 25.5 mm long		701.0319
		Alumina cup, no. 7, Ø 11.0 mm, 25.5 mm long		701.0320
Handle and switch	2.11	Handle tube		705.0010
	2.12	Handle tube		703.0002
	2.13	Rubber boot		701.0105
	2.21	Handle with single action switch		705.0023
		Handle with double action switch		705.0024
		Handle with single action switch and potentiometer (Resistore must be specified)		705.0014
	2.22	Handle with single action switch		705.0072
		Handle with double action switch		705.0073
		Handle with single action switch and potentiometer (Resistore must be specified)		705.0069
		Consisting of:		
	Handle	SR 9	705.0636	



Build group	Pos.	Description	Specifications	Part no.
Handle and switch		Handle	SR 9 FX	705.0070
		Screw 2.2x13	20 pcs.	079.0006
		Bung		705.0019
		Incher housing, single switch		705.0339
		Incher housing, double switch		705.0526
		Micro switch		185.0011
		Knurled knob for potentiometer		705.0020
		Screw M3x6 for potentiometer	20 pcs.	005.0057
		Potentiometer with nut (Resistore must be specified)		187.xxxx
	2.3	MG-handle with single action switch		701.0133
		MG-handle with double action switch		701.0698
		Consisting of:		
		Handle with switch		701.0134
		Micro switch		185.0011
		Pressure spring	20 pcs.	701.0987
		Cylinder pin 2m6x8	20 pcs.	063.0001
		Screw 2.2x13	20 pcs.	079.0005
		O-ring 17x2.5	20 pcs.	165.0040
	2.31	Insert bush		705.1442
	2.32	O-ring 17x2.5	20 pcs.	165.0040
	3.1	Binzel switch		701.0140
	Countersunk screw M4x6	20 pcs.	009.0201	

Build group	Pos.	Description	Specifications	Part no.
Handle and switch	3.2	Rubber switch		185.0013
	3.3	Double switch		185.0015
	4.1	Cable support		701.0139
Cable assembly	5	Outer cover rubber Ø 20x1.5	per meter	105.0005
	5.1	Power cable air-cooled for 4.00 m (Single connection/BSB/WTG)		116.0093
		Power cable air-cooled for 8.00 m (Single connection/BSB/WTG)		116.0094
		Power cable air-cooled for 4.00 m (GZ)		116.0091
		Power cable air-cooled for 8.00 m (GZ)		116.0092
	5.2	Hose 22 black Ø 5.0x1.5		109.0032
	5.21	Hose clamp Ø 9.5 mm	20 pcs.	173.0002
	5.22	Nut G 1/4"		500.0082
		Nipple for G 1/4"		500.0087
	6.1	Control cable 2-pole protected	per meter	100.0017
		Control cable 2-pole unprotected	per meter	100.0019
		Control cable 3-pole protected	per meter	100.0022
		Control cable 3-pole unprotected	per meter	100.0023
		Control cable 5-pole protected	per meter	100.0028
	w/o fig.	Electric-Insulation hose 6x0.5 (for unprotected control cable 100.0019 and 100.0023)	per meter	110.0004
	6.21	Tuchel plug 3-pole		175.0009
	6.22	Tuchel plug 5-pole		175.0011
	6.23	Amphenol plug 4-pole		175.0006
	6.24	Harting plug 6-pole		175.0013
		Other plug types are available on request.		
	7.11	Connecting case complete		500.0340
	7.12	Connecting case complete (Hose passage w/o hole)		500.0341
	7.4	Cable support		400.0101
	7.5	Locking ring NW 31		400.0297
	7.6	Screw M4x6	20 pcs.	000.0552
	7.7	Adaptor nut		500.0213
	8.1	Central adaptor block WTG 5-pole		501.0059
8.2	Central adaptor block WIG-GZ		501.0039	
	BSB Plug with side entry		500.0177	
	Consisting of:			
8.31	Power fitting		500.0060	
8.32	Rubber insulator		500.0141	
8.33	Hose fitting		500.0255	

Welding & cutting brought to the point.



Alexander Binzel Schweißtechnik GmbH & Co. KG
P.O. Box 10 01 53 · D-35331 Gießen
Tel.: ++49 (0) 64 08 / 59-0
Fax: ++49 (0) 64 08 / 59-191
Internet: www.binzel-abicor.com